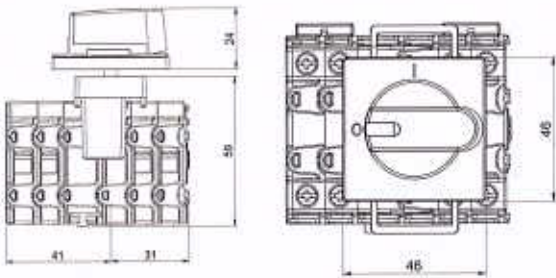
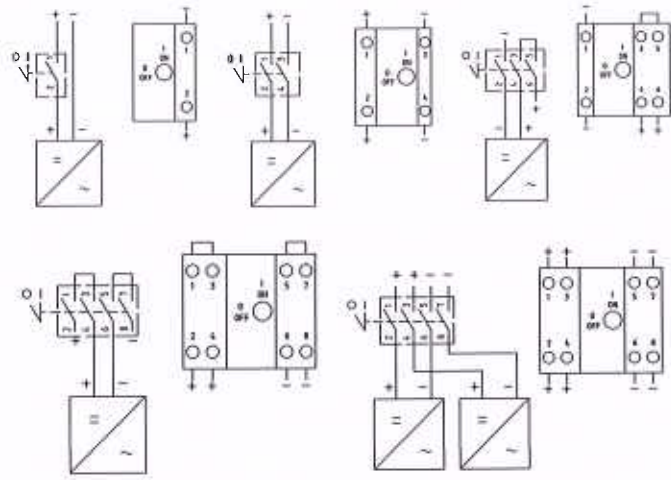


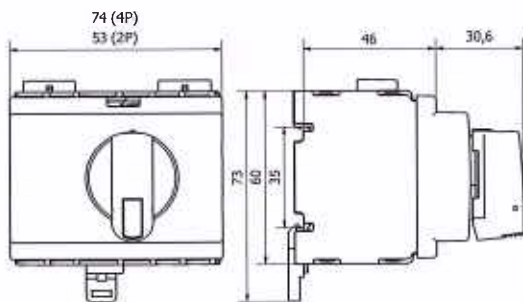
PHOTOVOLTAIC DC SWITCH DISCONNECTOR



- Up to 32 A 1200 V DC, DC21B
- Compact size DC load break switch (PV)
- 1, 2, 3 and 4 pole versions
- Compatible with K/PV 2P and K/PV 4P front plates, LK10 handle and L=100/200/300 AD11 shafts
- Wide operating temperature range
- Padlockable LK10
- LK10 with door interlock with defeat mechanism



PV with OKA/PV 4P



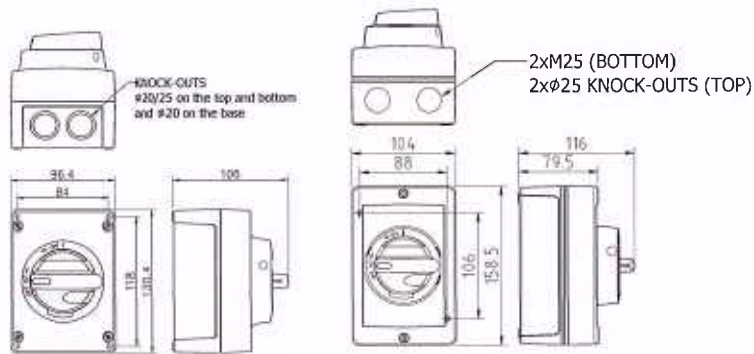
PV with K/PV 4P

Type	DC-21B	EAN-Code	Weight
6419410...			
2-pole - open type			
PV 216	16A 1000V	...216187	0,14
PV 225	20A 1000V	...216194	0,14
PV 232	25A 1000V	...216200	0,14
4-pole			
PV 416	16A 1200V	...216248	0,21
PV 425	25A 1200V	...216255	0,21
PV 432	32A 1200V	...216262	0,21
VKE 440 DC	40A 600V	...212288	0,68
6-pole			
VKE 6250 DC	200A 1000V	...212301	6,5
2-pole - Polycarbonate enclosure			
PVM 216	16A 1000V	...325445	0,35
PVM 225	20A 1000V	...325452	0,35
PVM 232	25A 1000V	...325469	0,35
4-pole - Polycarbonate enclosure			
PVM 416	16A 1200V	...325506	0,42
PVM 425	25A 1200V	...325513	0,42
PVM 432	32A 1200V	...325520	0,42
VKEM 440U DC	40A 600V	...328088	1
6-pole - Polycarbonate enclosure			
KEM 6250 DC	200A 1000V	...328125	25,5
2-pole - Aluminium enclosure			
PVA 216	16A 1000V	...333280	0,75
PVA 225	20A 1000V	...333297	0,75
PVA 232	25A 1000V	...333303	0,75
4-pole - Aluminium enclosure			
PVA 416	16A 1200V	...333341	0,82
PVA 425	25A 1200V	...333358	0,82
PVA 432	32A 1200V	...333365	1,29

ENCLOSED DC ISOLATOR SWITCH DISCONNECTOR



- Up to 32 A 1200 V DC, DC21B
- Available in Polycarbonate and Aluminium enclosures
- IP 66; Enclosure types U2 (PVM) and A2 (PVA)
- Self-extinguishing material
- Wide operating temperature range
- Padlockable
- Door interlock with defeat mechanism
- Excellent insulating properties
- Good UV resistance
- Good resistance against many chemicals



Accessories	Description	EAN-Code
		6419410...
Direct handles		
K/PV 2P	2 pole	...216347
K/PV 4P	4 pole	...216316
Door mounting kits		
OKA/PV 2.P	2 pole	...224908
OKA/PV 4.P	4 pole	...224915
Handles		
LK 10	black handle	...222539
LK 10 Y/R	yellow/red handle	...222553
LK 10Y	yellow handle	...222799
Shafts		
L 100 AD11	100mm steel shaft	...253106
L 200 AD11	200mm steel shaft	...253113
L 300 AD11	300mm steel shaft	...253120

		PV 21B	PV 225	PV 232	PV 416	PV 425	PV 432	VKE 440 DC	VKE 6250 DC
LOAD BREAK SWITCH									
SAFETY SWITCH, POLYCARBONATE, U2		PVM 21B	PVM 225	PVM 232	PVM 416	PVM 425	PVM 432	VKEM 440U DC*	KEM 6250 DC **
SAFETY SWITCH, ALUMINIUM, A2		PVA 21B	PVA 225	PVA 232	PVA 416	PVA 425	PVA 432		
Number of poles in series		2	2	2	4	4	4	4	6
Rated insulation voltage	Ui (V)	1200	1200	1200	1200	1200	1200	1000	1000
Impulse withstand voltage	Uimp (kV)	8	8	8	8	8	8	8	12
Rated thermal current, open air	Ith (A)	16	25	32	16	25	32	40	200
Rated thermal current, enclosed ambient +40°C	Ithe (A)	16	25	32	16	25	32	40	200
Rated thermal current, enclosed ambient +60°C	Ithe (A)	16	25	32	16	25	32	40	200
Nominal values with cable sizes (mm ²)		2.5	4	6	2.5	4	6	16	95
Rated operational current	Ue [VDC]								
DC-21B									
	300V	16	25	32	16	25	32	40	200
	400V	16	25	32	16	25	32	40	200
	500V	16	25	32	16	25	32	40	200
	600V	16	25	32	16	25	32	40	200
	700V	16	20	25	16	25	32	32	200
	800V	16	20	25	16	25	32	32	200
	900V	16	20	25	16	25	32	-	200
	1000V	16	20	25	16	25	32	-	200
	1200V	10	12	16	16	25	32	-	-
Rated short circuit making capacity	Icm (A)	1100	1100	1100	1100	1100	1100	3.3	7
Rated short time withstand current	Icw (A)	800	800	800	800	800	800	2.3	5
Mechanical endurance		20000	20000	20000	20000	20000	20000	20000	20000
Terminals / *Bolt size	Cu (mm ²)	1.5-16	1.5-16	1.5-16	1.5-16	1.5-16	1.5-16	2.5-32	M10
Terminal torque	(Nm)	1.8	1.8	1.8	1.8	1.8	1.8	2.5	30-44
*U4 enclosure, **MFO4 enclosure									